

DE Montageanleitung

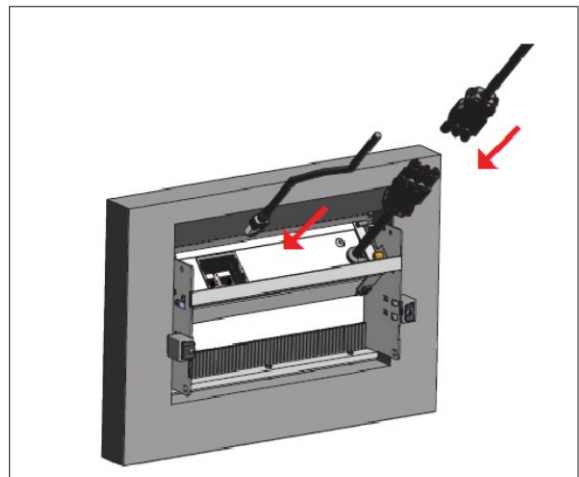
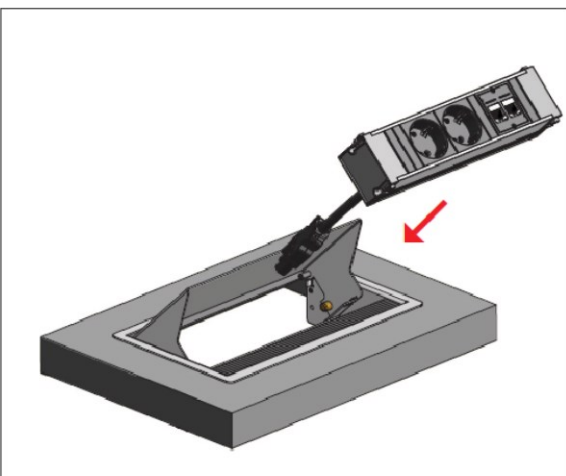
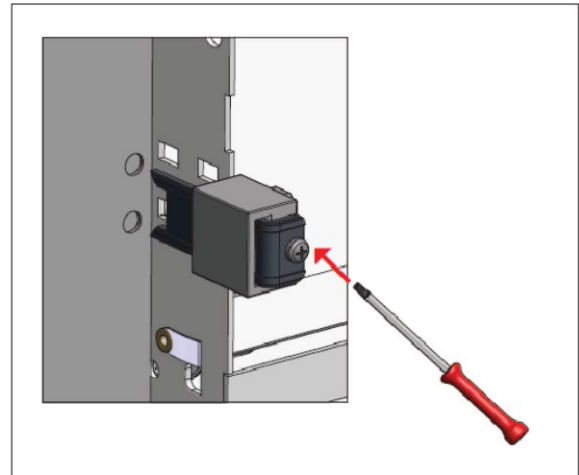
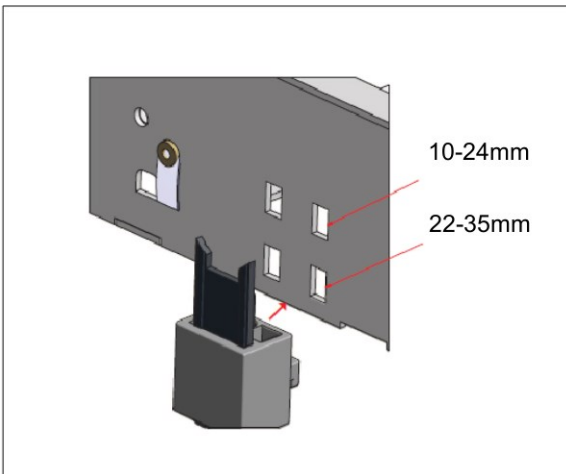
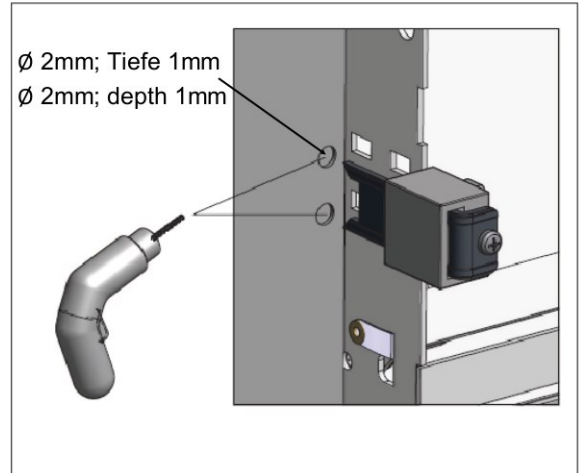
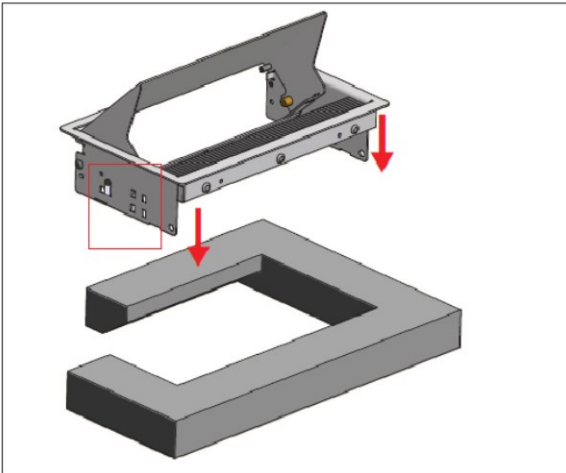
EN Mounting instructions

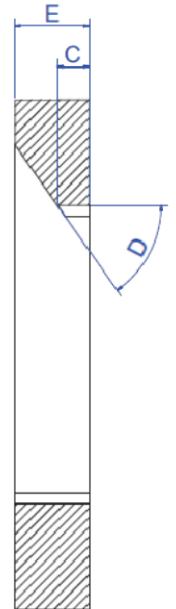
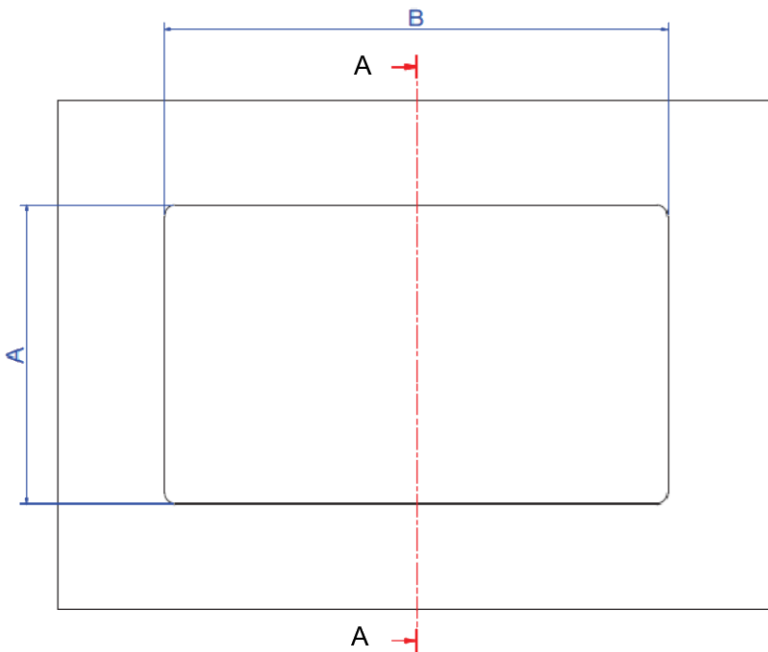
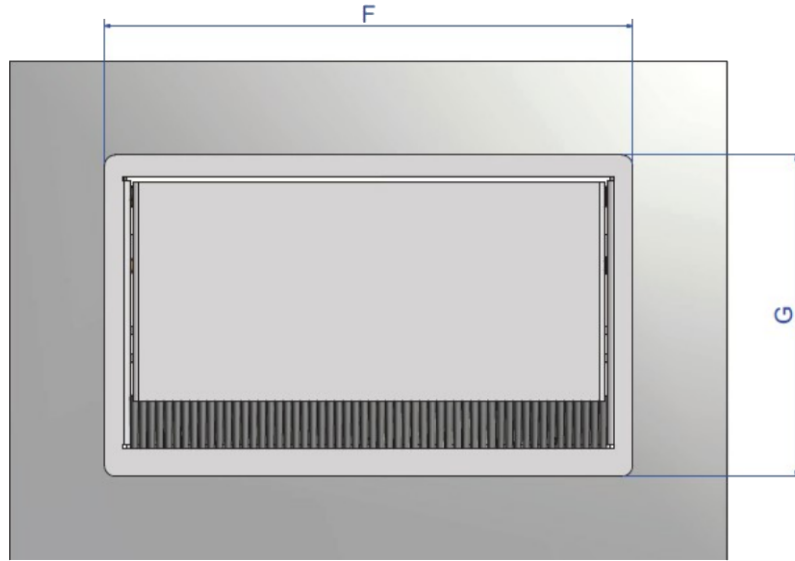
FR Instructions de montage

ES Instrucciones de montaje

RO Instrucțiuni de montare

IT Istruzioni per l'installazione





Tisch-Ausschnittmaße / Table cut-out dimensions

	A	B	C	D	E	F	G
S	138mm	230mm	15mm	55°	10-35mm	248mm	151mm
M	138mm	272,5mm	15mm	55°	10-35mm	290,5mm	151mm
L	138mm	368,5mm	15mm	55°	10-35mm	386,5mm	151mm

Achtung: Toleranz für alle A-/B-Maße = + 0,50mm
 Attention: Tolerance for all A-/B-dimensions = + 0,50mm

Ausschnitt für flächenbündige
 Version dem Produkt anpassen
 Eckenradius 5mm

Adapt table section to product for
 flush-mounted version
 radius 5mm