

POWER FRAME

DE Montageanleitung

ES Instrucciones de montaje

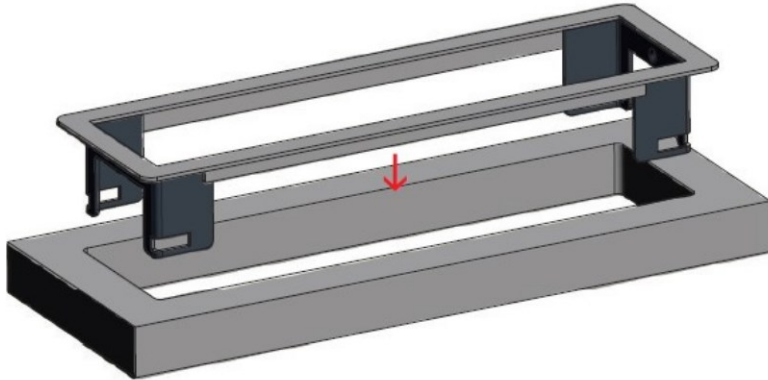
EN Mounting instructions

RO Instrucțiuni de montare

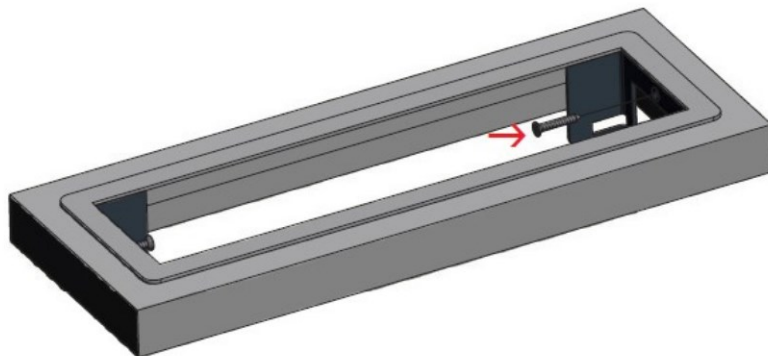
FR Instructions de montage

IT Istruzioni per l'installazione

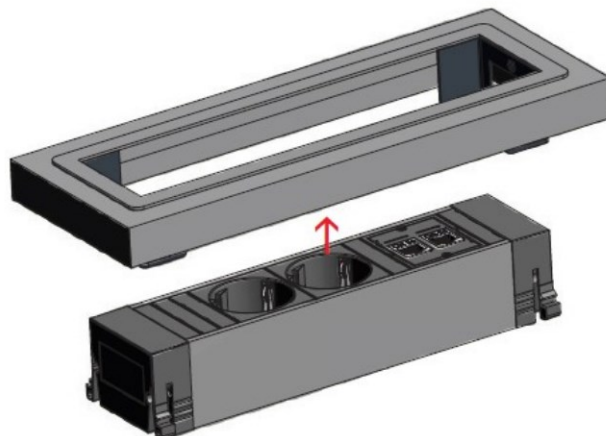
1.

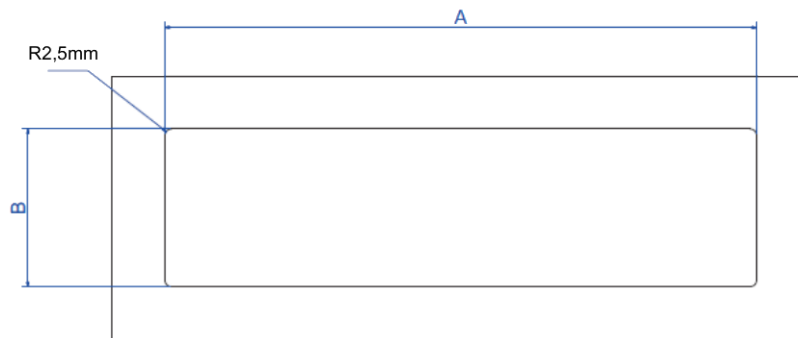
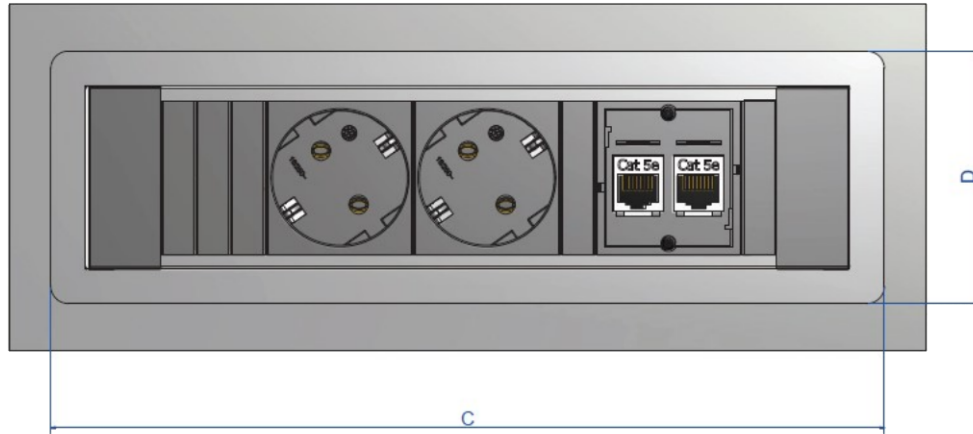


2.



3.





Tisch-Ausschnittmaße / Table cut-out dimensions

	A	B	C	D
S	225,00mm	60,00mm	241,00mm	73,00mm
M	267,50mm	60,00mm	283,50mm	73,00mm
L	352,50mm	60,00mm	368,50mm	73,00mm

Ausschnitt für flächenbündige
Version dem Produkt anpassen
Eckenradius 5mm

Adapt table section to product for
flush-mounted version
radius 5mm