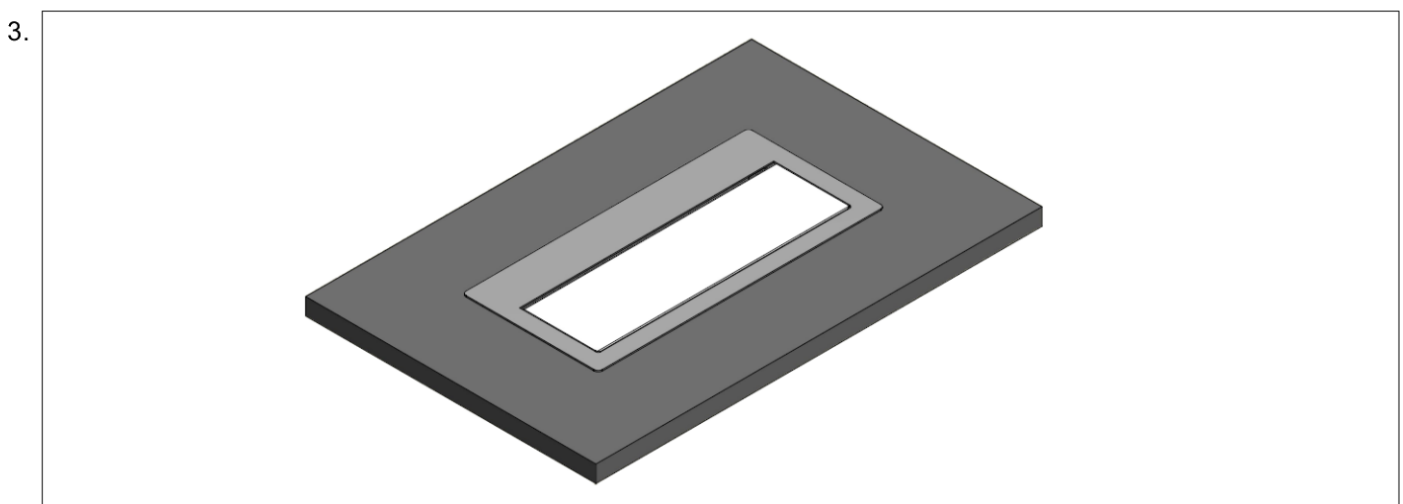
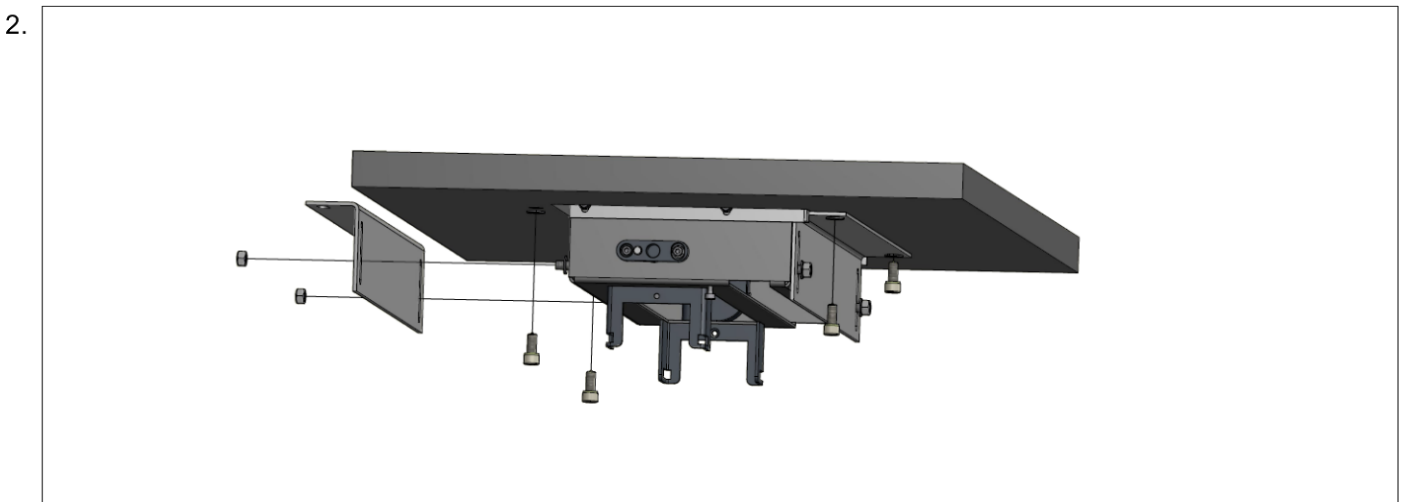
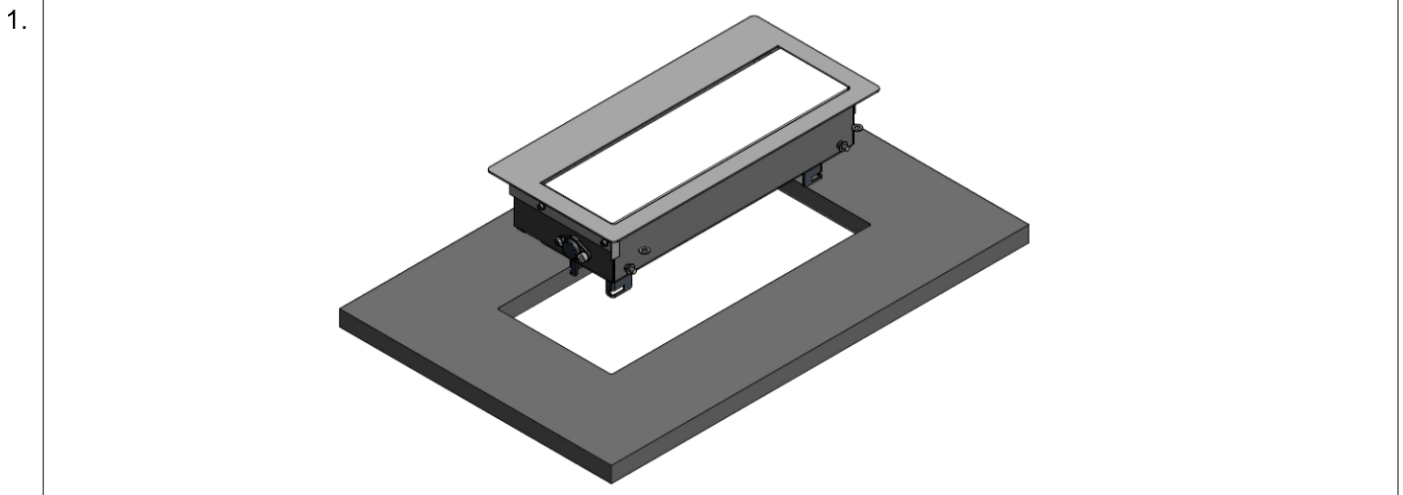


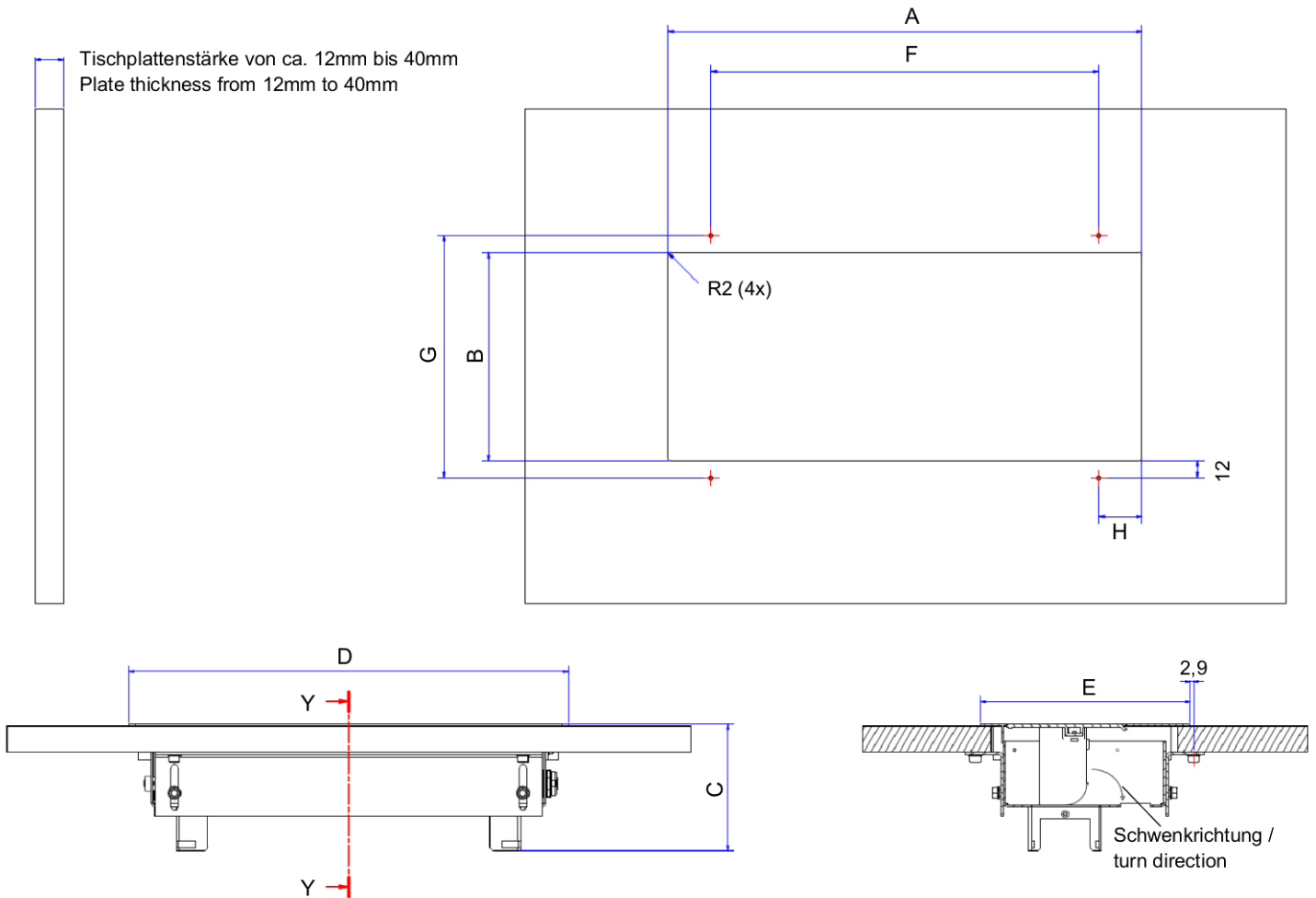
TOP FRAME

DE Montageanleitung
EN Mounting instructions
FR Instructions de montage

ES Instrucciones de montaje
RO Instrucțiuni de montare
IT Istruzioni per l'installazione



Tischplattenstärke von ca. 12mm bis 40mm
Plate thickness from 12mm to 40mm



Tisch-Ausschnittmaße / Table cut-out dimensions

Asymmetrisch / asymmetrical	A	B	C	D	E	F	G	H
M	330mm	145mm	ca. 110,00mm	340,5mm	162mm	270mm	169mm	30mm
XXL	512,5mm	145mm	ca. 110,00mm	523mm	162mm	270mm	169mm	121,25mm
Symmetrisch / symmetrical								
M	330mm	145mm	ca. 110,00mm	400,5mm	192mm	270mm	169mm	30mm
XXL	512,5mm	145mm	ca. 110,00mm	583mm	192mm	270mm	169mm	121,25mm

Achtung: Toleranz für alle A-/B-Maße = + 0,50mm
Attention: Tolerance for all A-/B-dimensions = + 0,50mm

Ausschnitt für flächenbündige
Version dem Produkt anpassen
Eckenradius 5mm

Adapt table section to product for
flush-mounted version
radius 5mm